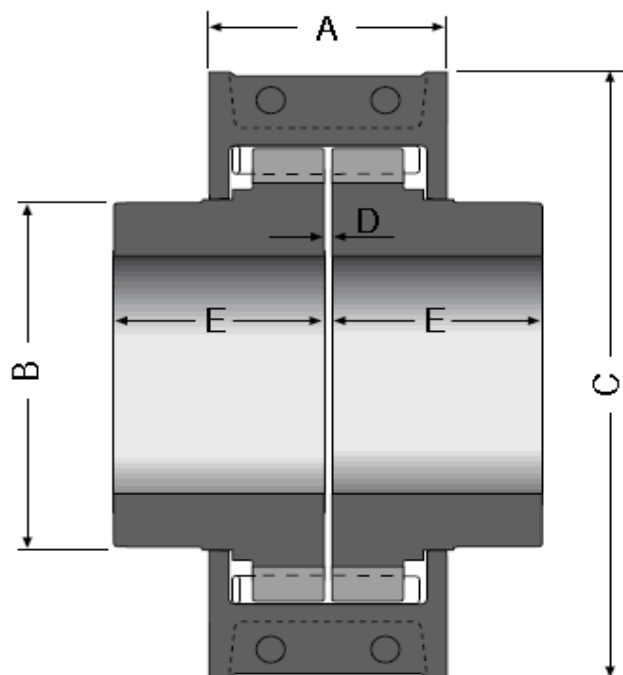


- Horizontally Split Cover
- General purpose
- Maintenance friendly covers minimizes downtime
- Ideal for limited space applications



Coupling Size	Coupling Rating Nm	Max Bore mm	A mm	B mm	C mm	E mm	D mm	Weight Kg	Max Speed Rpm
120	143	42	65	60	127	45	0.8	5	3300
124	248	60	66	85	159	50	0.8	8	2500
130	420	60	85	84	178	50	0.8	9	2300
136	497	68	85	95	191	57	0.8	12	2100
152	783	82	87	115	223	64	0.8	20	1800
158	1050	100	87	160	245	70	0.8	27	1600
168	1338	115	87	160	267	90	0.8	40	1500
212	2867	110	140	153	277	102	1.5	51	1400
236	3276	135	157	185	324	102	1.5	72	1250
266	5733	130	157	180	337	102	1.5	77	1200
290	7835	160	159	220	381	115	1.5	111	1000
318	10510	180	160	250	425	127	1.5	152	900
432	21976	215	180	302	502	140	3.2	242	750
478	28665	250	184	349	552	152	3.2	335	675

Notes.....