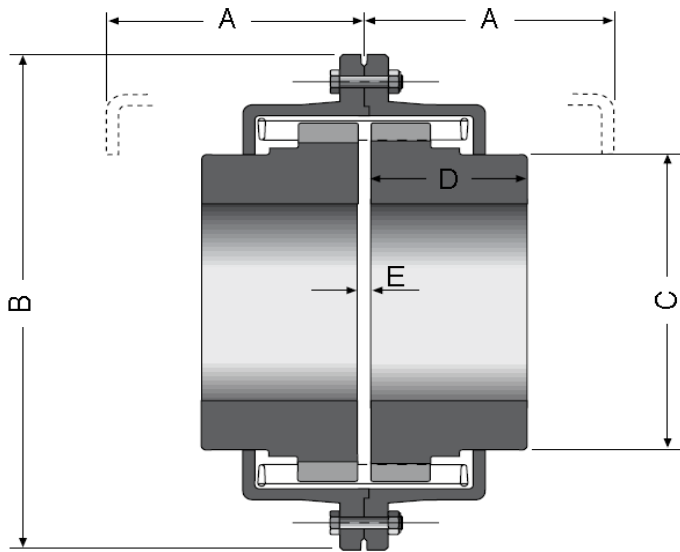
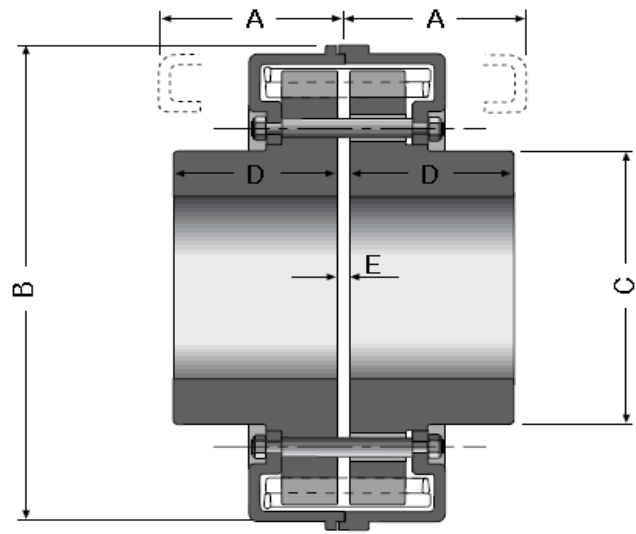


- Vertically Split Cover
- General purpose
- Maintenance friendly covers minimizes downtime
- Ideal for limited space applications



A Type



B Type

Coupling Size A Type	Coupling Rating Nm	Max Bore mm	A mm	B mm	C mm	D mm	E mm	Weight Kg	Max Speed Rpm
110	64	40	55	121	55	38	0.8	4	3900
120	143	42	65	135	60	45	0.8	5	3500
124	248	60	65	160	85	50	0.8	8	3360
130	420	60	85	175	84	50	0.8	10	3130
136	497	68	85	185	95	57	0.8	13	2900
152	783	82	85	210	115	64	0.8	18	2430
158	1050	100	85	240	140	70	0.8	26	2090
168	1338	115	85	265	160	90	0.8	40	1860
212	2867	110	132	280	153	102	1.5	51	1765
236	3276	135	152	310	185	102	1.5	71	1560
266	5733	130	152	325	180	102	1.5	77	1500
290	7835	160	152	360	220	115	1.5	107	1290
318	10510	180	152	425	250	127	1.5	151	1130
B Type									
432	21976	170	180	432	236	140	3.2	196	1145
478	28665	185	180	492	260	152	3.2	261	1015

Notes....