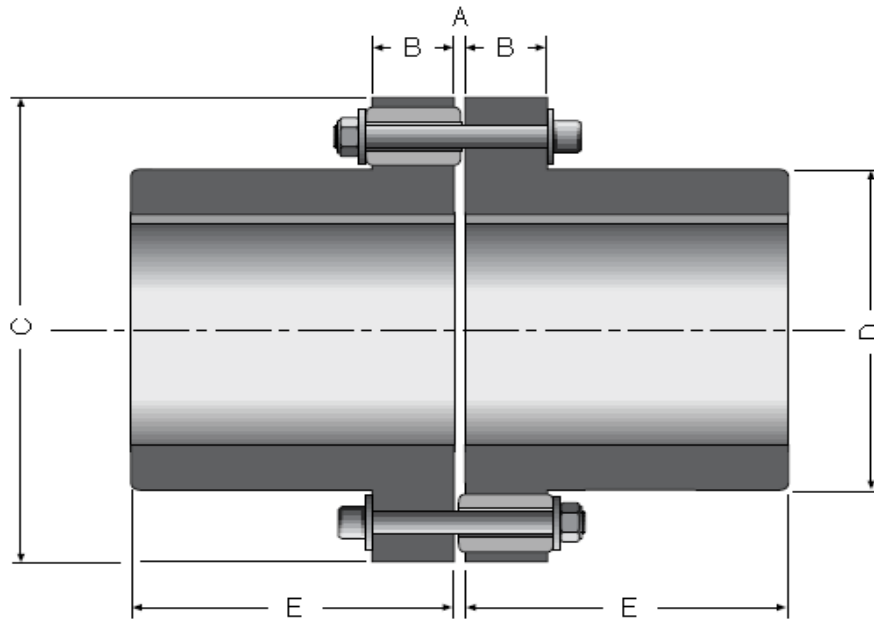


- Accepts Axial , Angular and Parallel Misalignment
- High Torsional Flexibility
- Vertical or Horizontal Operation
- Ideal for limited space applications
- Simple Assembly



Coupling Size	Coupling Rating Nm	Max Bore mm	A Gap mm	B mm	C mm	D mm	E mm	Bushes And Pins	Weight Kg	Max Speed Rpm
72	50	20	2	15	72	35	29	4	1.1	5000
90	325	35	3	17	90	48	40	8	2.5	5000
125	900	50	3	20	125	70	50	12	6	5800
145	1500	58	5	25	145	80	65	12	10	5500
165	2100	75	5	25	165	100	70	12	15	4800
195	4200	90	5	30	195	120	90	12	27	4400
240	9000	110	5	35	240	150	105	16	46	3600
290	17000	130	6	50	290	180	125	16	86	3000
320	22000	150	6	50	320	210	151	16	124	2600
350	30000	160	6	60	350	225	161	16	162	2400
380	37500	180	6	60	380	245	181	16	206	2200
470	34400	175	6	75	470	280	191	16	290	1420
510	50000	200	6	75	510	320	211	16	380	1300
560	68000	215	10	80	560	350	235	16	500	1200
630	96000	240	10	90	630	295	265	16	714	1000

Notes....