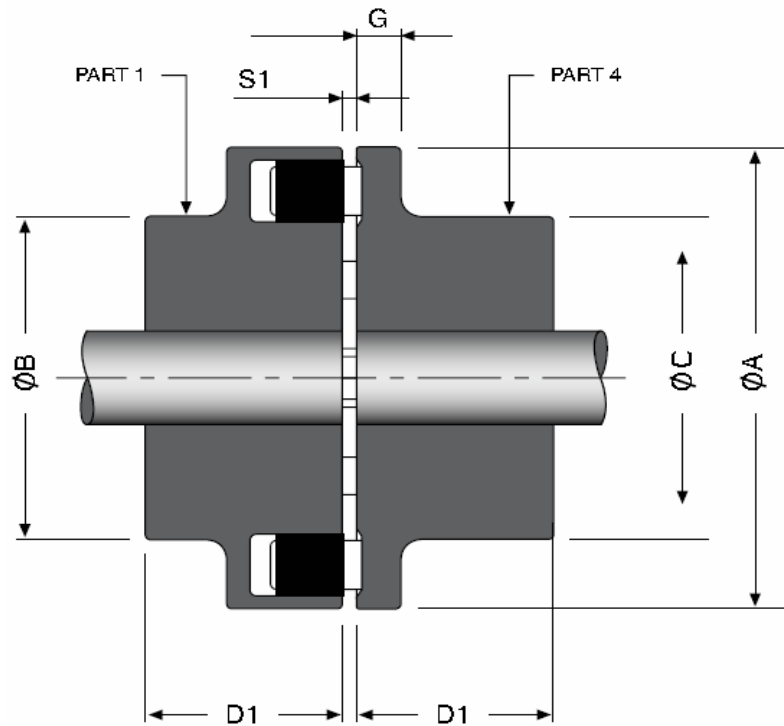


- Easy rapid installations
- Accommodates Misalignment



N-Flex (B)

Coupling Size	Nominal Torque Nm	Max Bore Part 1	Max Bore Part4	A	B	C	D1	S1	D1	Weight Kg	Max Speed Rpm
				mm	mm	mm	mm	mm			
68	34	24	28	68	50	50	20	3	20	0.5	7000
80	60	30	38	80	76	68	30	3	30	1.3	6000
95	100	42	42	95	76	76	35	3	35	2.2	5500
110	160	48	48	110	86	86	40	3	40	3.3	5300
125	240	55	55	125	100	100	50	3	50	5.2	5100
140	360	60	60	140	100	100	55	3	55	5.6	4900
160	560	65	65	160	108	108	60	4	60	7.8	4250
180	880	75	75	180	125	125	70	4	70	11.5	3800
200	1340	85	85	200	140	140	80	4	80	16	3400
225	2000	90	90	225	150	150	90	4	90	20	3000
250	2800	100	100	250	165	165	100	5.5	100	29	2750

Flexible Spares "H" Section (Approx Sizes)

Taper Bush Size	W mm	H mm
68	22	10
80	19	11
95	25	13
110	29	14
125	31	15
140	37	17
160	36	19
180	36	22
200	39	24
225	42	27
250	47	30

