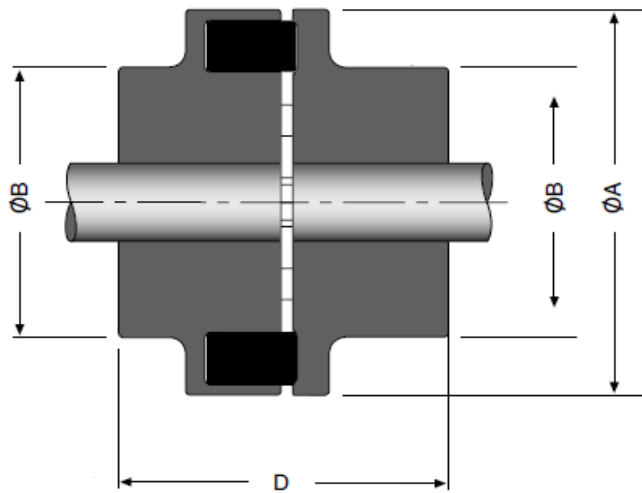
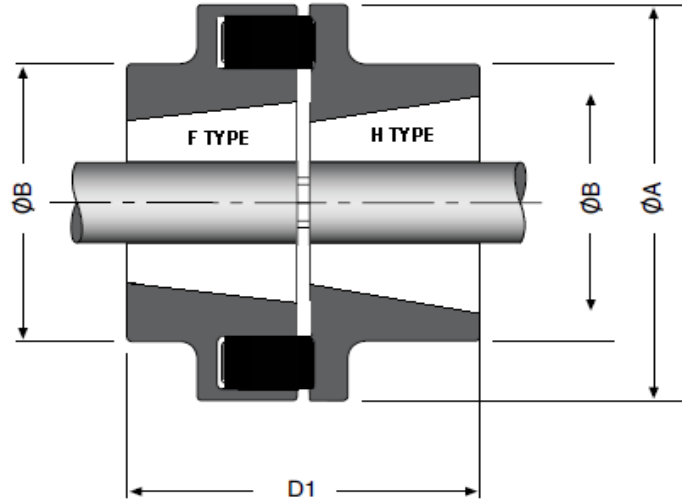


- Easy rapid installations
- Accommodates Misalignment
- Failsafe for continued operation should flexibles elements fail
- Taper Lock Bush Version for Easy maintenance and Setup



Bore and Keyway Version



Taper Lock Bush Version

| Coupling Size | Nominal Torque Nm | Peak Torque Nm | Max Bore mm | Min Bore mm | A mm | B mm | D mm | Taper Bush Option | D1 mm | Weight Kg | Max Speed Rpm |
|---------------|-------------------|----------------|-------------|-------------|------|------|------|-------------------|-------|-----------|---------------|
| 7 | 31 | 72 | 32 | 10 | 69 | 60 | 70 | 1008 | 66 | 1 | 9100 |
| 9 | 80 | 180 | 38 | 10 | 85 | 65 | 87 | 1108 | 78.5 | 1.5 | 7400 |
| 11 | 160 | 360 | 55 | 10 | 112 | 100 | 119 | 1610 | 83 | 5 | 5630 |
| 13 | 315 | 720 | 60 | 20 | 130 | 105 | 146 | 1610 | 89 | 5.5 | 4850 |
| 15 | 600 | 1500 | 70 | 20 | 150 | 115 | 160 | 2010 | 108 | 7.5 | 4200 |
| 18 | 950 | 2350 | 80 | 30 | 180 | 125 | 189 | 2517 | 143 | 17 | 3500 |
| 23 | 2000 | 5000 | 100 | 40 | 225 | 155 | 239 | 3020 | 163.5 | 26 | 2800 |
| 28 | 2300 | 7200 | 115 | 50 | 275 | 185 | 285 | 3525 | 255.5 | 50 | 2300 |

Notes...

Taper Bush Bore Options

| Taper Bush Size | Max Bore mm | Min Bore mm |
|-----------------|-------------|-------------|
| 1008 | 25 | 10 |
| 1108 | 28 | 10 |
| 1610 | 42 | 14 |
| 1610 | 42 | 14 |
| 2010 | 50 | 14 |
| 2517 | 60 | 16 |
| 3020 | 75 | 24 |
| 3525 | 90 | 35 |