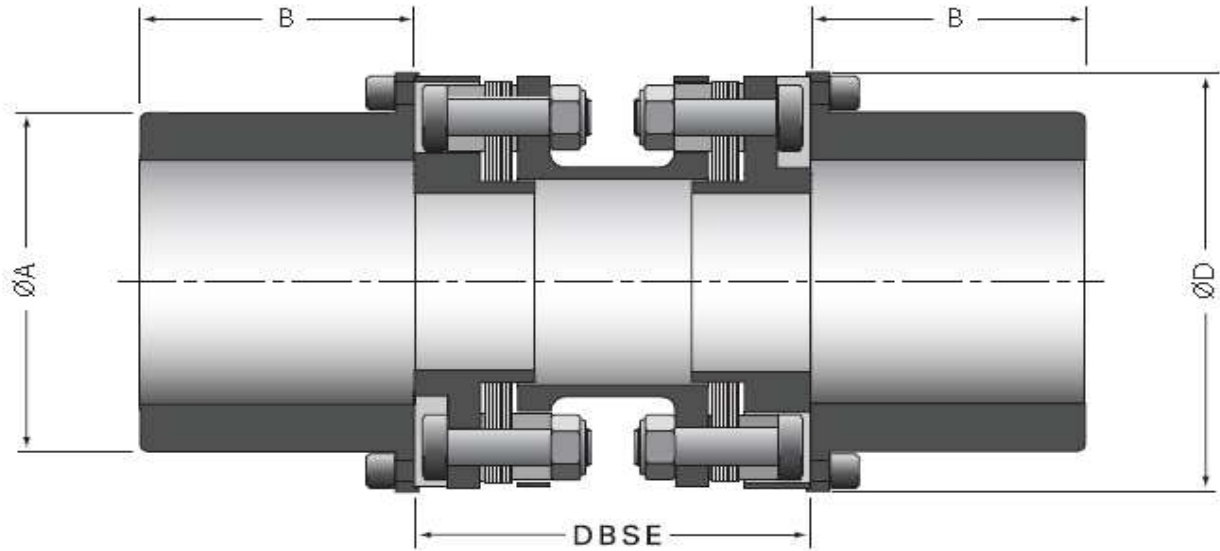


- Plug in transmission unit for rapid installation
- Anti-flail safety feature
- Atex Option Available
- Customer DBSE specification
- Compliance with API 610 - ISO 14691



Coupling Size CSD	Nominal Torque Nm	Peak Torque Nm	Max Bore mm	Min Bore mm	A mm	B mm	D OD mm	DBSE Min mm	Weight Kg	Max Speed Rpm
60	360	640	43	15	60	45	80	65	3.6	20000
80	940	1600	58	20	80	60	106	80	5.6	16500
100	1830	3200	72	20	100	75	131	100	15.1	12000
120	3300	5800	85	25	120	90	154.5	115	25.1	10000
140	5240	9000	106	30	140	110	179	130	42.6	8500
160	8000	14000	119	40	160	120	203	150	59.5	7500
180	11600	20000	135	50	180	140	228.5	170	87	6500
200	16290	28500	152	60	200	160	254	190	120	5600

Notes...