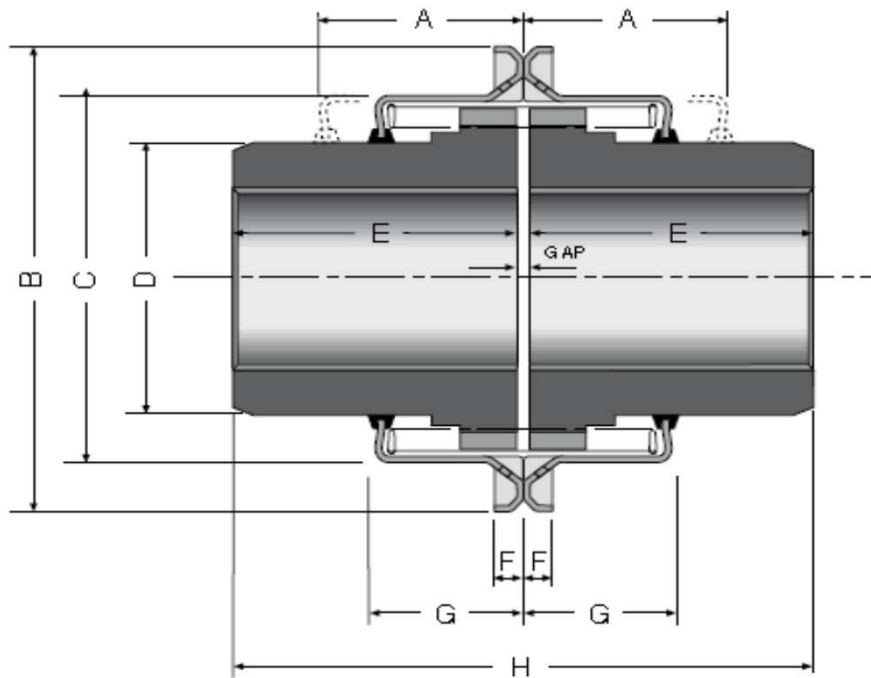


- Vertically Split Cover
- General purpose
- Pressed steel covers maximizes speeds



Coupling Size	Coupling Rating Nm	Max Bore mm	B mm	H mm	E mm	D mm	G mm	Lube Qty Kg	Gap Max mm	Weight Kg	Max Speed Rpm
1020	52	28	111	98	47	39,5	24.2	0.03	4.5	2	6000
1030	149	35	121	98	47	49	25	0.03	4.5	2.6	6000
1040	249	42	129	104.6	50	57	25.7	0.05	4.5	3.4	6000
1050	435	50	148	123.6	60	66,5	31.2	0.05	4.5	5.4	6000
1060	684	56	162	130	63	76	32.2	0.09	4.5	7.3	6000
1070	994	65	173	155.4	76	87	33.7	0.11	4.5	10.4	5500
1080	2050	80	200	180.8	88	104,5	44.2	0.17	4.5	17.7	4750
1090	3730	95	232	199.8	98	123,5	47.7	0.25	6	25.4	4000
1100	6280	110	267	245.7	120	142	60	0.43	6	42.2	3250
1110	9320	120	286	258.5	127	160	64.2	0.51	12.5	54.4	3000
1120	13700	137	319	304.4	149	179	73.4	0.73	12.5	81.6	2700
1130	19900	165	378	329.8	162	217	75.1	0.91	12.5	122.5	2400
1140	28600	184	416	371.6	182	254	78.2	1.13	12.5	180.1	2200
1150	39800	215	476	371.8	182,2	269,2	106.9	1.95	12.5	230	2000
1160	55900	240	533	402.2	198,1	304,8	114.3	2.81	12.5	321.1	1750
1170	74600	280	584	437.8	215,9	355,6	119.4	3.49	12.5	448.2	1600
1180	103000	300	630	483.6	238,8	393,7	130	3.76	12.5	591	1400
1190	137000	335	685	524.2	259,1	436,9	135	4.4	12.5	761	1300
1200	186000	360	737	564.8	279,4	497,8	145	5.62	12.5	1021	1100

Notes....